

SENENICH PROPELLER CO., INC.

AREA CODE 813
PHONE - 752-3711
FAX - 752-2818



2008 WOOD COURT
PLANT CITY, FL USA
33563

See us on the Web @ www.sensenich.com

SERVICE BULLETIN SB2019-02A

EFFECTIVE DATE: 2-25-2019

SUBJECT: Inspection of adjustable pitch hubs for cracks

AFFECTED PROPELLER HUB MODELS:

- **2EK** 2 blade aircraft hubs with pitch cartridge for Continental or other direct drive engines.
- **2EL** 2 blade aircraft hubs with pitch cartridge for Continental O-200D or other direct drive engines.

AFFECTED SERIAL NUMBERS: Revision "0" through C ("0", A, B, C).

The revision letter is stamped after the serial number, which is found on the sides of the hub.

Original revision hubs (Rev "0") do not have any letters stamped after the serial number.

Example – Affected S/N: 21569A

AFFECTED PUBLICATIONS: N/A

REASON: Sensenich has received reports of cracked hub covers on several installations.

- The occurrence, if unattended, could result in the hub cover half cracking completely across.
- To date, there have been no inflight blade separations but the location of crack growth necessitates immediate inspection.

Issued			Revised			Revision
MO	DAY	YEAR	MO	DAY	YEAR	A
02	25	2019	08	14	2019	

COMPLIANCE:

- Inspect hub for cracks within next 20 hours of operation.
- Remove spinner dome (and front bulkhead, if used). Loosen hub clamp bolts and remove the hub cover from the propeller assembly.
- The hub cracks typically start at or near the pitch cartridge slot on the sides of the central hole, and grow outwards towards the hub sides. They are hairline cracks which are very difficult to see with the naked eye. Refer to Figures 1 & 2 for crack location.
- Using very good lighting and a 10x magnifying glass, inspect the inside of the pitch cartridge slot in the hub cover next to the pitch marks.
- The hub cover must be removed from the propeller assembly for thorough inspection inside the pitch cartridge slot. *Inspection of the hub exterior is not adequate.*
- Notify Sensenich of any crack occurrences and return affected hub for evaluation.
- Inspect affected hub for cracks every 50 hours or annually, whichever comes first.
- Replacement hub covers with revision “C1” stamped after the serial number are not subject to this service bulletin or the 50 hour recurrent crack inspection.

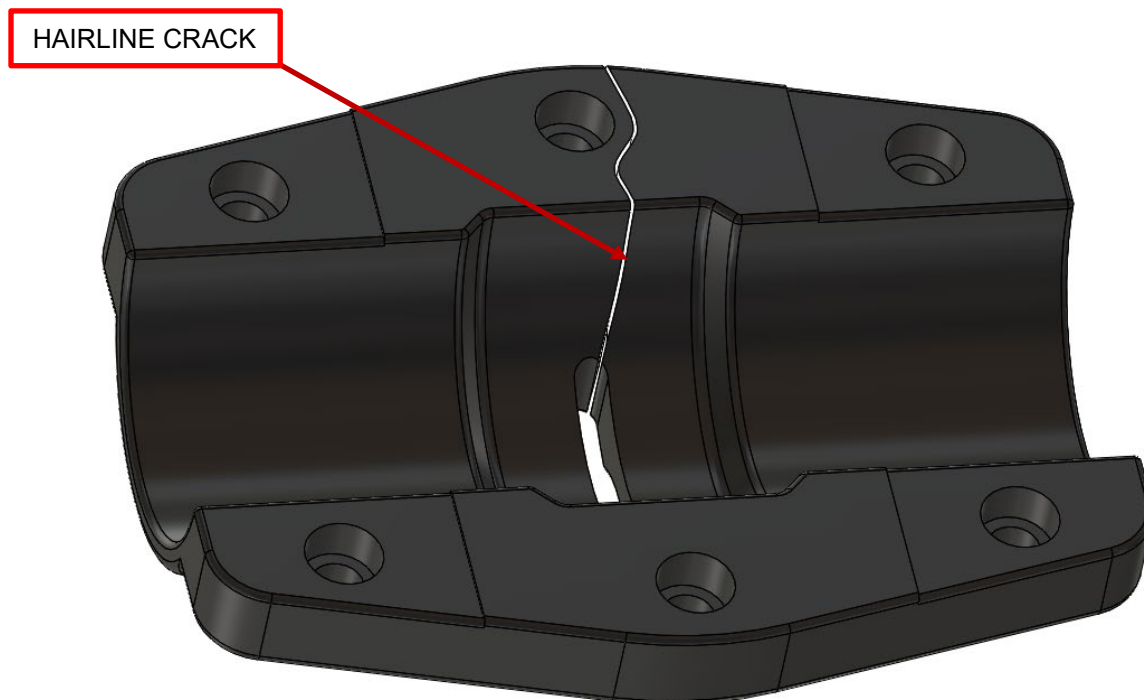


Figure 1. Cracks start near pitch marks and grow outwards.

SB2019-02 2EK 2EL series hub cracks revA.docx

Issued			Revised			Revision
MO	DAY	YEAR	MO	DAY	YEAR	A
02	25	2019	08	14	2019	

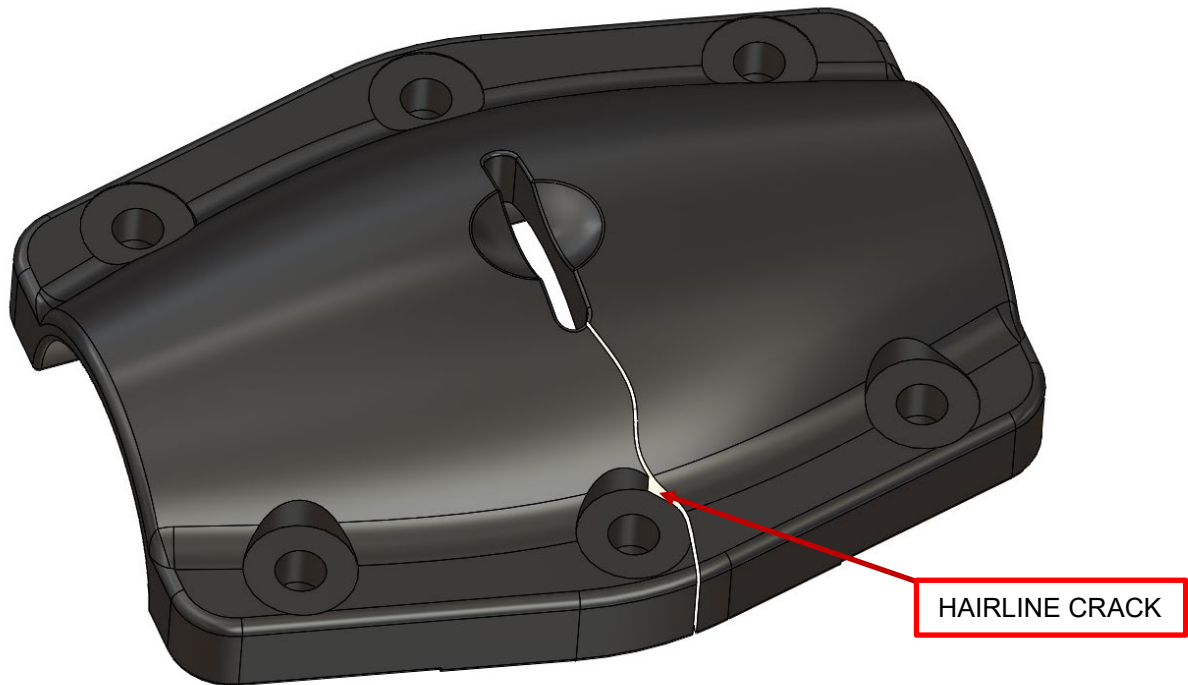


Figure 2. Unattended cracks may progress to edges of hub cover half.

HUBS NOT AFFECTED: The following is a list of hub models **NOT** affected.

- 2EK & 2EL replacement hub covers with “C1” stamped after serial number
- 2A0J5 and 2A0R5
- 2A1R5
- 2A2V5
- 2ASV5
- 3A0B7
- 3B0R5
- 2EM6, 2E0U5
- 2G0M7, 2G0M8

CONTACT INFORMATION

Notify Sensenich of any crack occurrences or with any questions regarding this service bulletin:

Sensenich Propeller Company, Inc.
 2008 Wood Court
 Plant City, FL
 33563
 (813) 752-3711 option 2
www.sensenich.com

propsales@sensenich.com

SB2019-02 2EK 2EL series hub cracks revA.docx

Issued			Revised			Revision
MO	DAY	YEAR	MO	DAY	YEAR	A
02	25	2019	08	14	2019	