

Cub Crafters, Inc. Considers Compliance Mandatory February 20, 2006

The parts of this Service Bulletin that change the Type Design of the aircraft have been approved by the FAA

- SUBJECT:** Fuel Selector Handle
- MODELS AFFECTED:** CC18-180A serial number 0001.
CC18-180 serial numbers 0002 through 0020
- COMPLIANCE TIME:** **PART A**
Prior to next flight
- PART B**
Within the next 20 flight hours
- PURPOSE:** Cub Crafters, Inc. has determined that there is the possibility that the pilot's clothing may snag the fuel selector handle and move it inadvertently. This Service Bulletin provides instructions to prevent this from occurring and to replace the handle with a new one which precludes the possibility of inadvertent operation.
- INSTRUCTIONS:** **PART A**
1. Insert page number 4-11A after page 4-11, in section 4 of the Aircraft Flight Manual and Pilot Operating Handbook, document TC10000AFM. (See Figure 1)
 2. Make note in aircraft log book that Service Bulletin SB0006 Part A has been complied with.

WARNING

PRIOR TO ANY FLIGHT, ENSURE THAT THERE IS NO POSSIBILITY OF THE PILOT'S SLEEVE FROM GETTING CAUGHT ON THE FUEL SELECTOR HANDLE, ESPECIALLY WHEN OPERATING THE FLAPS. WEAR SHORT SLEEVE SHIRTS OR TIGHTLY FITTING SLEEVES.

Figure 1 - Warning on Page Insert for Flight Manual

- PART B**
1. Remove fuel selector TC7013-001 by unscrewing the screw on the shaft of the handle.
 2. Discard part number TC7013-001.
 3. Install new fuel selector handle TC7013-003 by screwing it onto the shaft. (Figure 2 and Figure 3)
 4. Rotate handle through all the positions and ensure that the detents are clearly felt when each tank position (LEFT, BOTH, RIGHT) are selected.

Cub Crafters, Inc. Considers Compliance Mandatory February 20, 2006

The parts of this Service Bulletin that change the Type Design of the aircraft have been approved by the FAA

5. If Part A of this Service Bulletin was complied with earlier, remove page number 4-11A from the Aircraft Flight Manual and Pilot Operating Handbook, document TC10000AFM.
6. Make note in aircraft log book that Service Bulletin SB0006 Part B has been complied with.

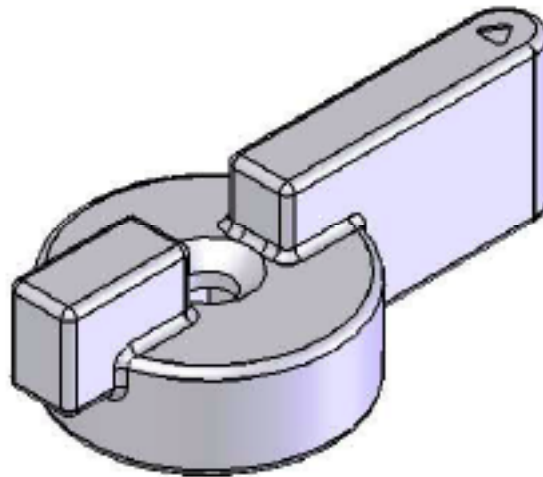


Figure 2 - Fuel Selector Handle TC7013-003

Cub Crafters, Inc. Considers Compliance Mandatory February 20, 2006

The parts of this Service Bulletin that change the Type Design of the aircraft have been approved by the FAA

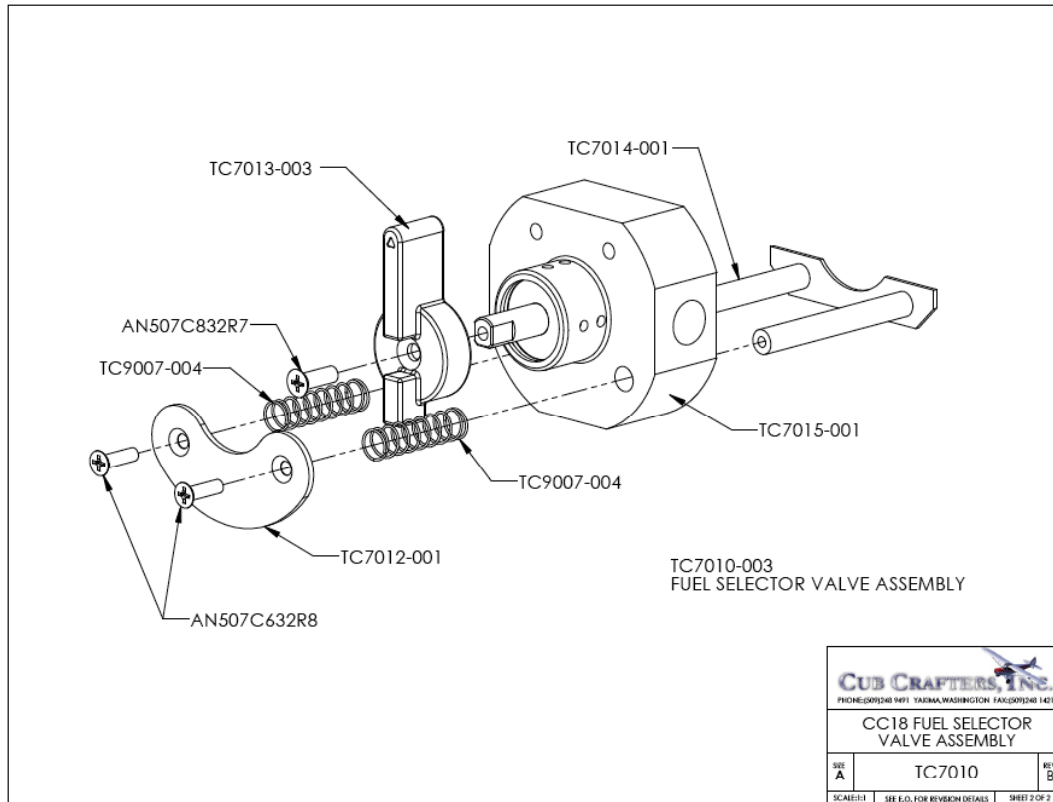


Figure 3 - Fuel Handle Installation

EFFECTIVE DATE: This Service Bulletin is effective February 20, 2006

If you are not longer in possession of this aircraft, please forward this information to the present owner/operator and notify Cub Crafters, Inc. of the address of the current owner to: Cub Crafters, Inc. 1918 S. 16th Avenue, Yakima, WA 98903. Please include the aircraft registration number, serial number, current name and address of the owner and/or operator.

Cub Crafters, Inc. Considers Compliance Mandatory

February 20, 2006

The parts of this Service Bulletin that change the Type Design of the aircraft have been approved by the FAA

PARTS LIST:

ITEM	QTY	PART NUMBER	DESCRIPTION
PART A			
1	1	Page 4-11 A/B	Provisional Flight Manual Insert
PART B			
2	1	TC7013-003	Fuel Selector Handle