



# SERVICE INSTRUCTION

## SI0007 Rev A

Page 1 of 5

**EFFECTIVE DATE:** This Service Instruction is effective December 11, 2009.

**SUBJECT:** **PERFORMANCE EXHAUST INSTALLATION**

**MODELS AFFECTED:** CC11-100 S/N CC11-00001 through CC11-00047

**PURPOSE:** Performance Exhaust Installation Instructions

**PARTS LIST:**

PART NUMBER	DESCRIPTION	QTY
SP57200-001	Performance Exhaust System (AWI)	1
SC57260-001	Performance Exhaust Clamp Assembly	1
RM0006-001	2" SCAT Aero Duct (19 inches)	2
RM0006-001	2" SCAT Aero Duct (15 inches)	1
SC56020-001	Cabin Heat Intake Assembly	1
SC56017-001	Cabin Heat Intake Flange Blank	1
AN526C440R6	Screw, 4-40X3/8	8
AN960-4L	Washer	8
AN363-440	Nut, Hi-Temp Lock	8

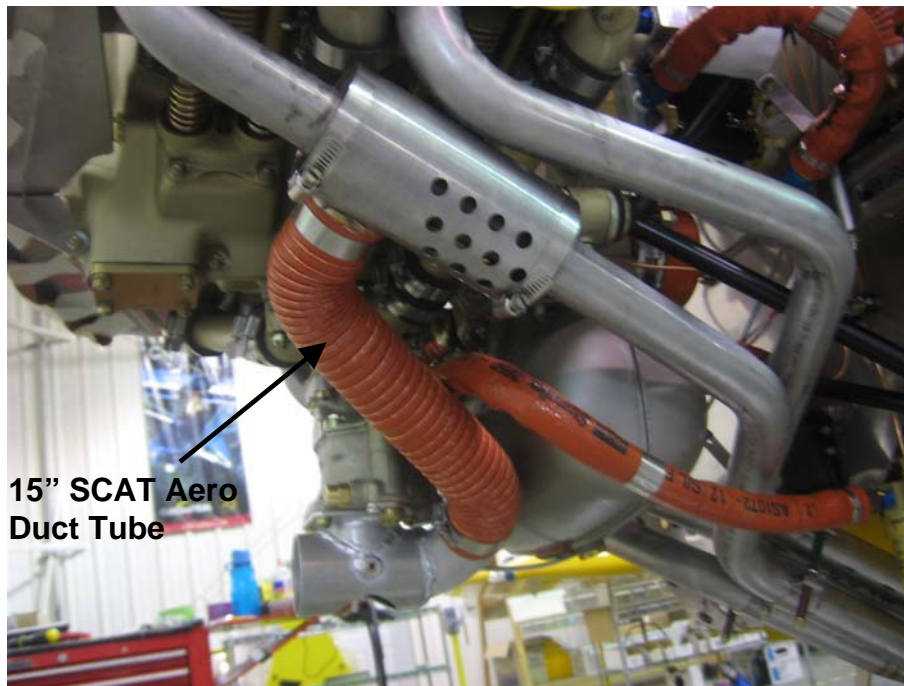
**INSTRUCTIONS:**

1. Remove cowl.
2. Remove standard exhaust (front right intake may need to be removed – loosen clamps and slide hose down tube to release). Save existing hardware (exhaust nuts and hose clamps) and Exhaust Gaskets.
3. Install Performance Exhaust with existing gaskets. Install nuts loosely; DO NOT tighten nuts until after Performance Clamp Assembly has been installed.
4. Install Carb heat muffler on LH side (pilot's view). Adjust muffler on pipe to allow SCAT ducting to clear fuel line. Tighten clamps to secure position. DO NOT attach SCAT Duct to fuel line. (See Figure 1.)
5. Install Cabin heat muffler on RH side. Tighten clamps to secure position. See Figure 2.
6. Reference Service Instruction No. 0005 to install Performance Exhaust Clamp Assembly (SC57260-001).
7. Tighten nuts on exhaust stacks to 135 in-lbs.
8. Aft Baffle: Drill out the four (4) rivets in the flange on the right side of the aft baffle. Install Flange Blank (SC56017-001) using four (4) screws (AN526C440R6), washers (AN960-4L), and Hi-Temp Lock Nuts (AN363-440). See Figure 3.

9. Add air intake scoop to front of baffle. Center of hole is 3.75" from the side and 3" forward of aft flange. Cut a 2" to 2 1/8" hole and attach intake with four screws (AN526C440R6), washers (AN960-4L), and Hi-Temp Lock Nuts (AN363-440). (See Figure 4, 5 and 6).
10. Install SCAT Aero Duct (RM0006-001) and clamps according to Figure 1 and 2.
11. Reinstall cowl, ensure clearance between cowl and heat mufflers.
12. Complete logbook entry.
13. Revise POH/AFM Equipment Sheet in Section 6 Page 11 for Weight and Balance change required. See Table 1.

Description of Article or Modification	Added (+) Removed (-)	Weight Change		
		Wt (lb.)	Arm (ins.)	Moment/100
Standard Exhaust System	-	-4.7	25	-117.9
Performance Exhaust System	+	9.30	25	232.5
Total Change:	+	4.584		114.6

**Table 1**



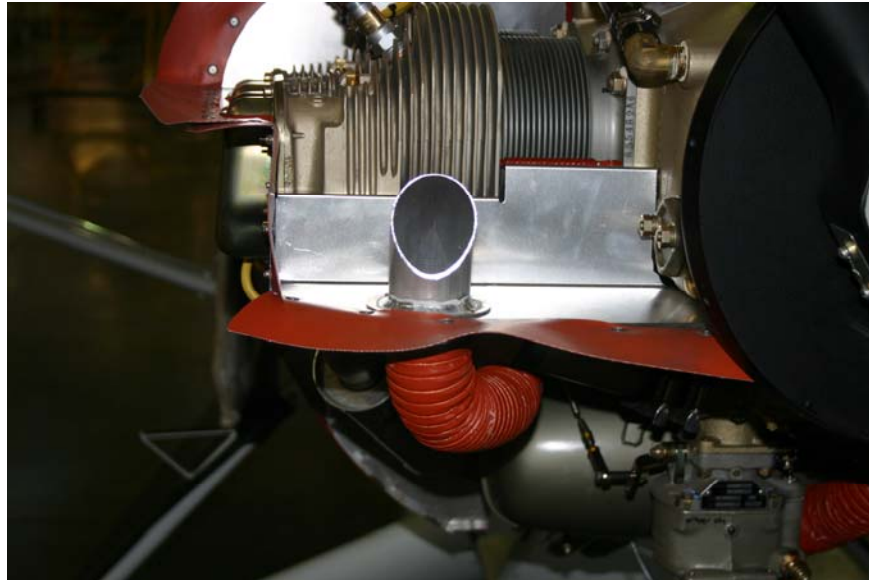
**FIGURE 1 – LEFT SIDE**



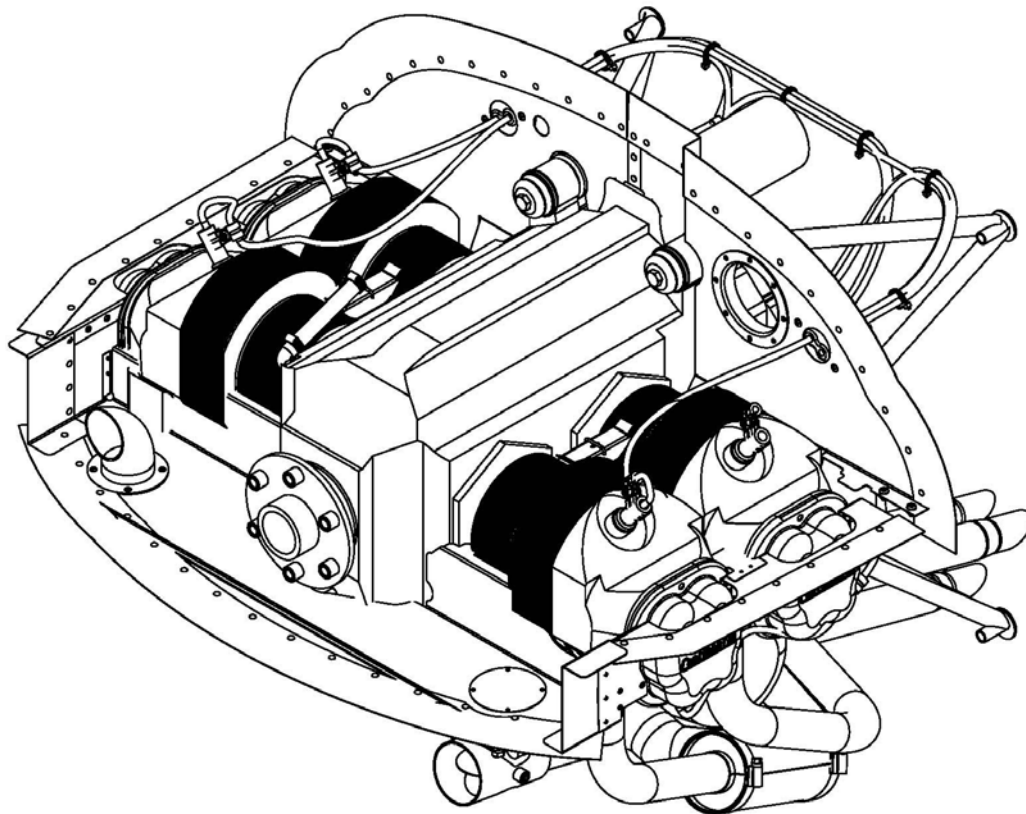
**FIGURE 2 – RIGHT SIDE**



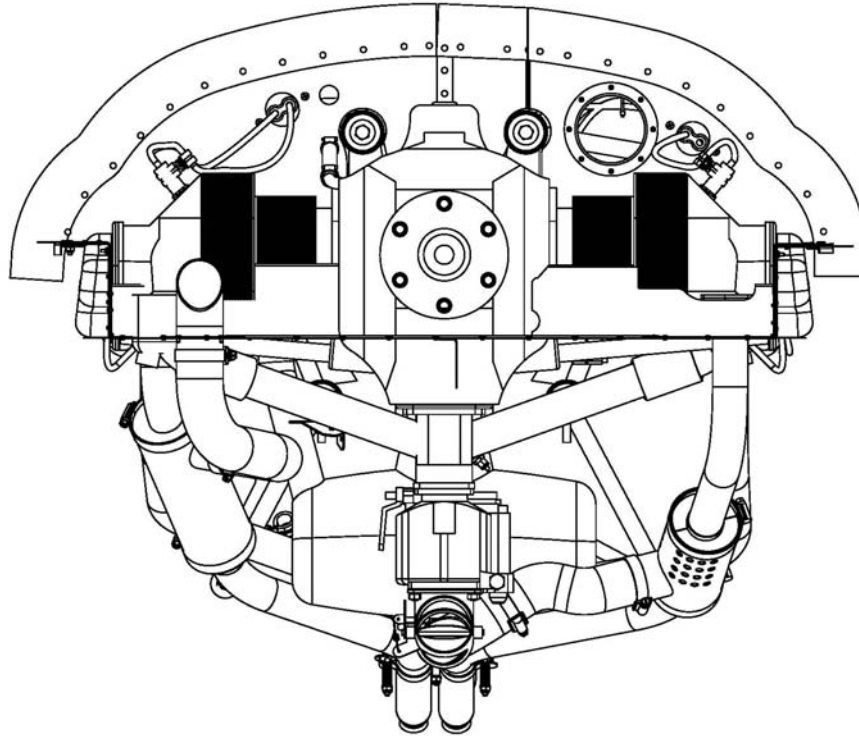
**FIGURE 3**



**FIGURE 4**



**FIGURE 5**



**FIGURE 6**