

Cub Crafters, Inc. Considers Compliance Mandatory

10/31/2012

EFFECTIVE DATE: This SERVICE BULLETIN is effective 10/31/2012

SUBJECT: *RIGHT AFT PUSH ROD TUBE INSPECTION*

MODELS AFFECTED: *CC11-160 S/N 00225 thru S/N 00235*

COMPLIANCE TIME: *AT NEXT MAINTENANCE ACTION*

PURPOSE: *TO INSPECT AFT RIGHT PUSH ROD TUBE AND PREVENT WEAR FROM ADJACENT BAFFLE SCREW OR NUTPLATE.*

WARRANTY: *FOR AIRCRAFT UNDER WARRANTY, A LABOR REIMBURSEMENT OF UP TO TWO HOURS AT A RATE OF \$75/HOUR WILL BE PROVIDED IF NEEDED.*

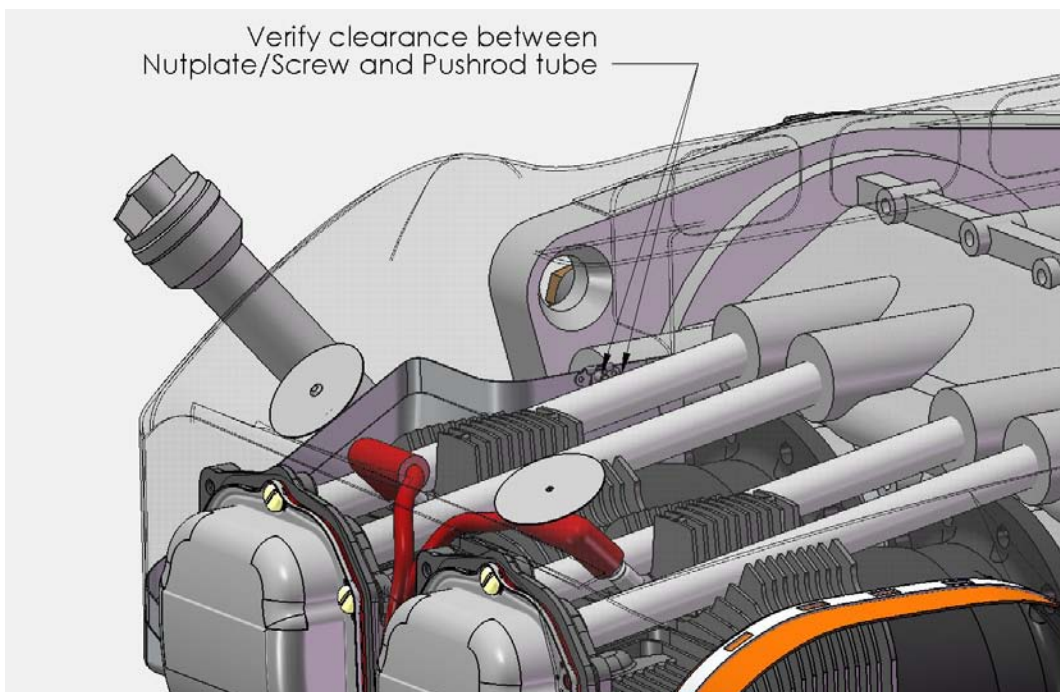
PARTS LIST:

<u>PART</u>	<u>DESCRIPTION</u>	<u>QTY</u>
*RM0013-001	SILICONE, 27C RTV HIGH TEMP ORANGE	AR

**may or may not be required*

INSTRUCTIONS:

1. Check clearance between aft right push rod tube (Cylinder #3) and baffle screw and nutplate. This can be done visually with a flashlight and mirror, or by attempting to slide a shim between the two components. Clearance of at least .050" is desired.





SERVICE BULLETIN

SB00022

Page 2 of 2

Cub Crafters, Inc. Considers Compliance Mandatory

10/31/2012

2. If there is adequate clearance, make a log book entry "inspected per SB00022".
3. If inadequate clearance is found, remove screw and replace with an AN507C632R4 or MS24693-C24. If unavailable, the removed screw may be ground down to ¼" and re-used.
4. Re-check for clearance.
5. If there is adequate clearance, make a log book entry "repaired per SB00022".
6. If inadequate clearance is still found, remove the 4 screws securing the lower aft baffle to the upper baffle and shift lower baffle to a position where the nutplate rivets may be drilled out.
7. Drill out nutplate rivets and remove nutplate.
8. Lay a short bead of Silicone on mating surface of upper and lower baffle pieces and re-attach with remaining 3 screws.
9. Make a log book entry "repaired per SB00022"

If you are no longer in possession of this aircraft, please forward this information to the present owner/operator and notify Cub Crafters, Inc. of the address of the current owner to:

Cub Crafters, Inc.
1918 S. 16th Avenue
Yakima, WA 98903.
1-877-484-7865 or 1-509-248-9491
support@cubcrafters.com

Please include the aircraft registration number, serial number, current name, and address of the owner and/or operator.