

Cub Crafters, Inc. Considers Compliance Mandatory

EFFECTIVE DATE: This SERVICE BULLETIN is effective June 18, 2007

SUBJECT: Rudder Horn Reinforcement

MODELS AFFECTED: CC11-100 S/N00001 thru S/N00043

COMPLIANCE TIME: PRIOR TO NEXT FLIGHT

PURPOSE: Engineering analysis and empirical data has shown that the rudder horn on the Sport Cub will fail when a large amount of force is applied to the rudder pedals.

PARTS LIST:

<u>PART</u>	<u>DESCRIPTION</u>	<u>QTY</u>
SC81211-001	RUDDER HORN DOUBLER	2
CR3213-4-3	RIVET – CHERRY MAX – 1/8X3/16	14

INSTRUCTIONS: Add SC81211-001 rudder horn doubler to existing rudder horn (See Figure 1).

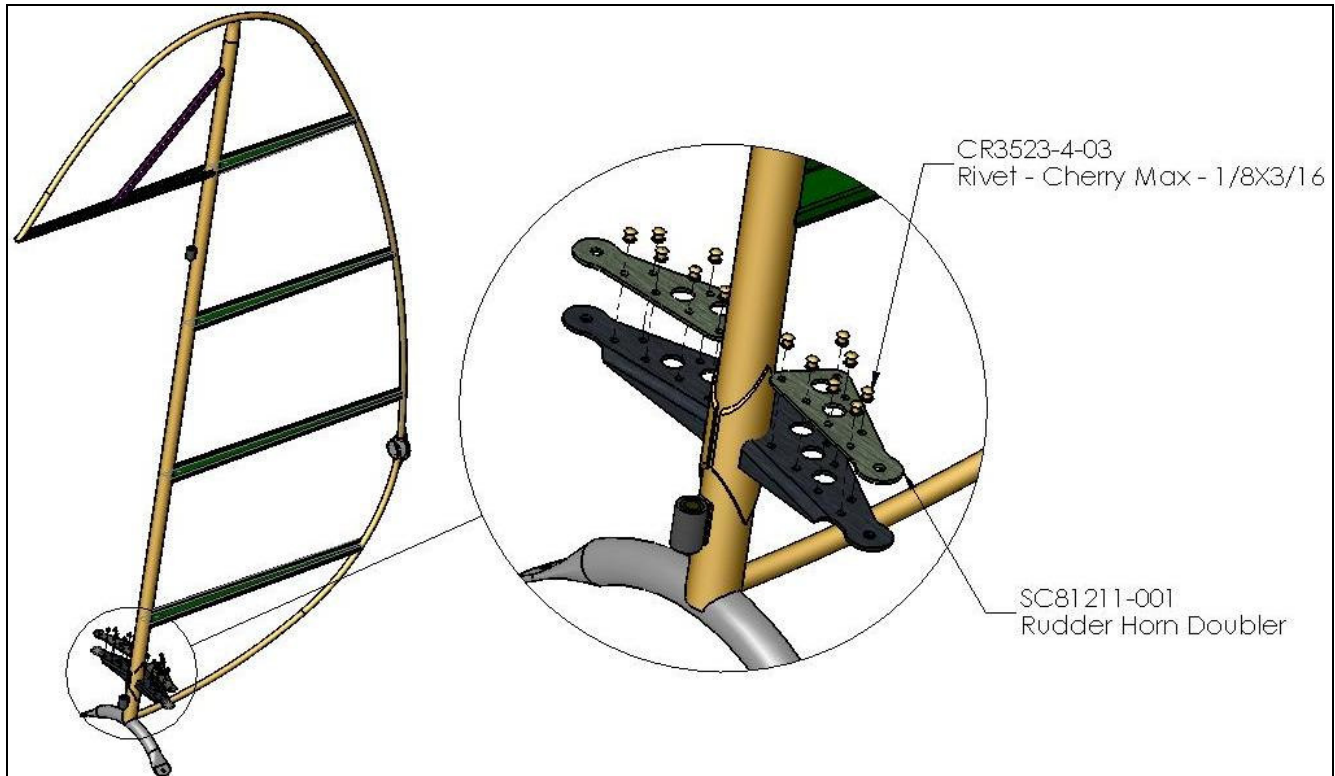


Figure 1

Cub Crafters, Inc. Considers Compliance Mandatory

SC81211-001 Rudder Horn Doubler Installation Procedure:

1. Align rudder horn holes with rudder horn doubler holes as shown in Figure 2. Secure rudder horn doubler to rudder horn by any means possible (pins, clamps, etc.).

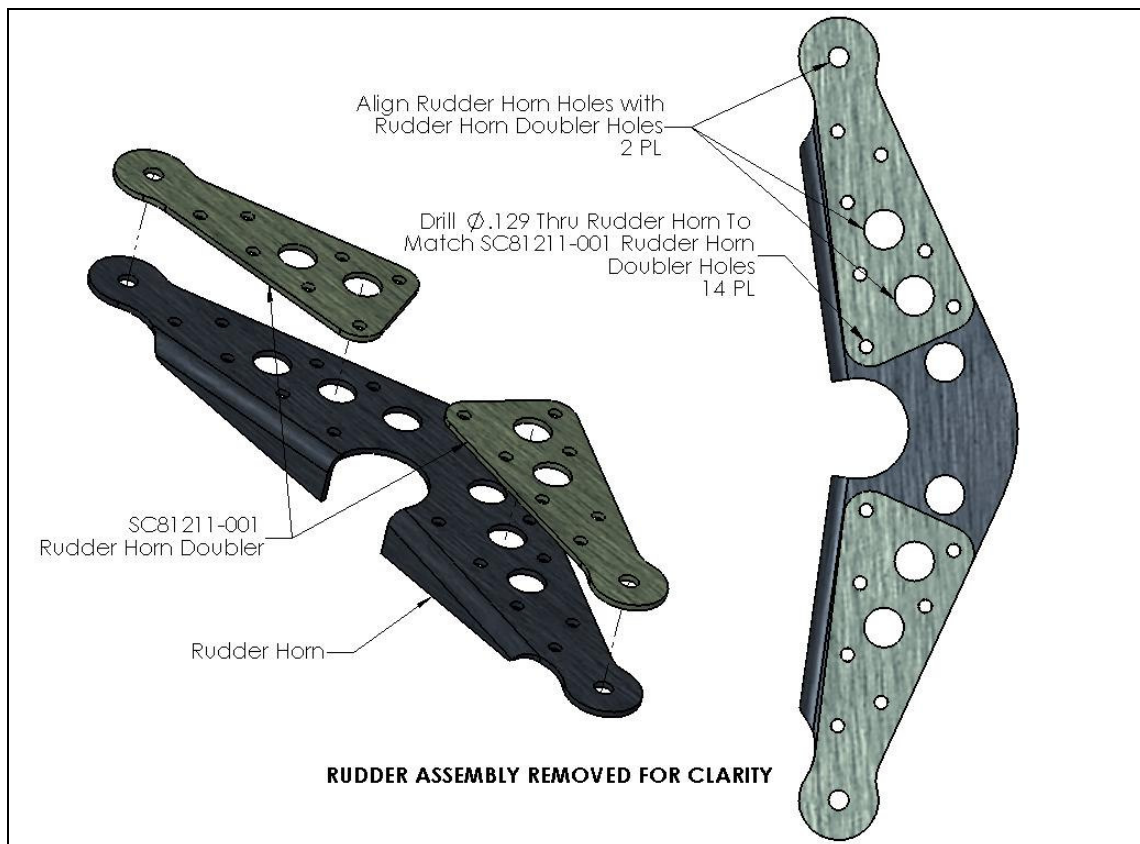


Figure 2

2. Once the rudder horn doubler and rudder horn are aligned and secured, drill $\varnothing.129$ thru rudder horn to match rudder horn doubler as shown in Figure 2.

Cub Crafters, Inc. Considers Compliance Mandatory

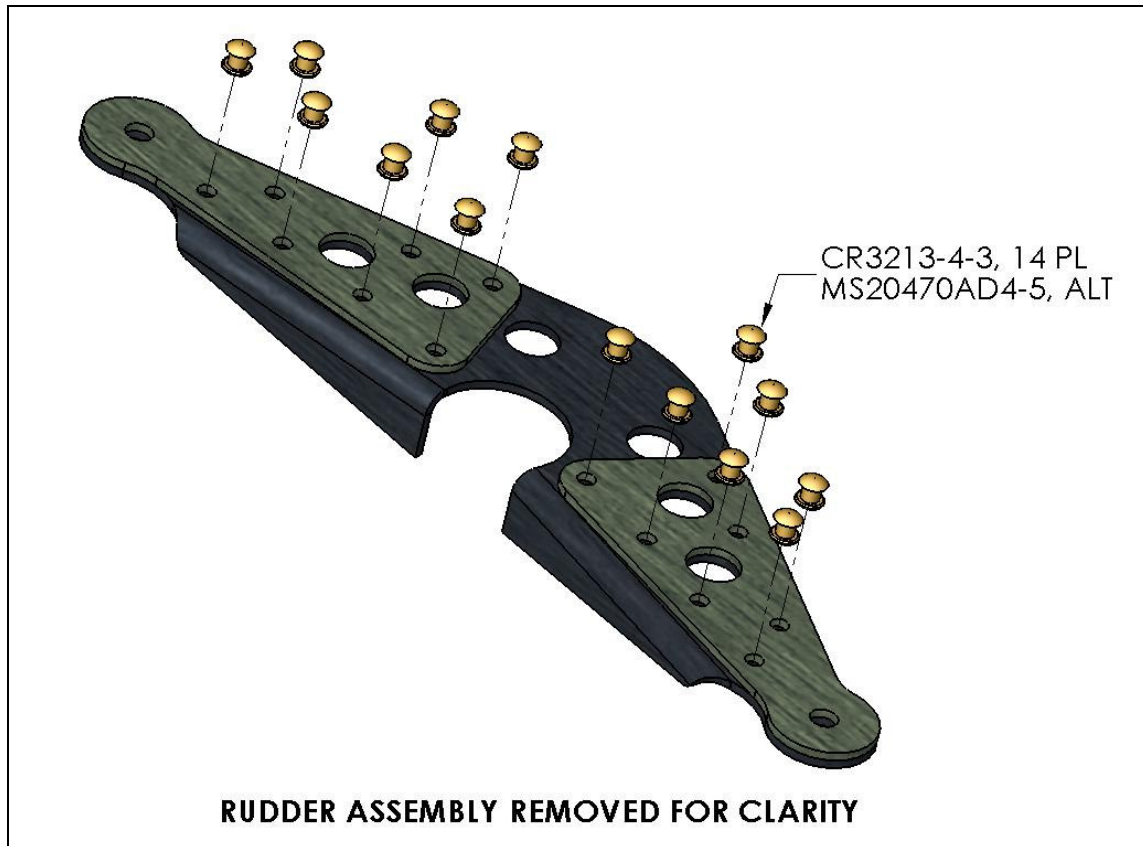


Figure 3

3. Install Cherry Max rivets CR3213-4-3 thru rudder horn doubler and rudder horn as shown in Figure 3. MS20470AD4-5 rivets may be substituted for CR3213-4-3 rivets. Rivet lengths may be adjusted as required for best fit.
4. Make an entry into aircraft logbook stating SERVICE BULLETIN SB00006 has been complied with.

- If any discrepancies found, contact Cub Crafters, Inc. prior to next flight.