

The information and instructions contained in this document have been produced in accordance with alternative procedure to DOA EASA AP058.

**All KANNAD ELTs**

**Check of hook and loop fasteners for mounting mechanisms**

**1. PLANNING INFORMATION**

A. Effectivity

This Service Bulletin is applicable to all KANNAD ELTs listed in Table 1 and their relevant mounting brackets

Table 1 KANNAD ELTs

Equipment Designation	Part Number	Mounting Bracket
KANNAD 406 ATP	S1819502-01/02	S1819524-01
KANNAD 406 AP	S1820502-01 / 02	S1820511-01
KANNAD 406 AP-H	S1820502-04	
KANNAD 406 AF	S1821502-01 / 02	
KANNAD 406 AF (6D)	S1821502-06	
KANNAD 406 AF-H	S1822502-01 / 02	
KANNAD 121 AF	S1824502-01 / 02	
KANNAD 121 AF-H	S1826502-02	
KANNAD 406 AF COMPACT	S1840501-01	
KANNAD 406 AF COMPACT (ER)	S1840501-04	
AP INTEGRA (ER)	S1850501-01	S1840502-01 or S184050-02
AP INTEGRA	S1850501-02	
AF INTEGRA (ER)	S1851501-01	
AF INTEGRA	S1851501-02	
AF-H INTEGRA (ER)	S1852501-01	
AF-H INTEGRA	S1852501-02	
AP-H INTEGRA (ER)	S1854501-01	
AP-H INTEGRA	S1854501-02	

B. Concurrent Requirement

N/A

C. Reason

Special Airworthiness Information Bulletin (SAIB) HQ-12-32 has informed emergency locator transmitter manufacturers as well as installers and aircraft maintenance personnel of a concern with the ability of hook and loop style fasteners to retain their designed capability to restrain emergency locator transmitters during accident impact. In several recent aircraft accidents, ELTs mounted with hook and loop style fasteners, commonly referred to as Velcro®, have detached from their aircraft mounting. The separation of the ELT from its mount caused the antenna connection to sever, rendering the ELT ineffective.

For ELT manufacturers who previously utilized hook and loop style fasteners for ELT retention, FAA recommends they include the following information in their ICA:

1. Instructions for properly securing the ELT during installation and reinstallation as well as a method to determine the appropriate tension of the hook and loop style fasteners.
2. Instructions for inspecting hook and loop style fasteners for wear, contamination, environmental degradation, or other effects to ensure they will continue to meet the requirements in the applicable TSO. Incorporating this inspection with the inspection required by 14 CFR § 91.207 is appropriate.
3. Replacement interval for the hook and loop style fasteners.

**CAUTION:**

**AN INCORRECT TIGHTENING OF THE HOOK AND LOOP FASTENER COULD LEAD TO AN UNSAFE SITUATION PREVENTING THE TRANSMISSION OF THE DISTRESS MESSAGE BY THE ELT**

D. Description

This Service Bulletin outlines the instructions for properly securing the ELT during installation and reinstallation, the instructions for inspecting fasteners of mounting brackets and defines the replacement interval for the fasteners of mounting brackets.

E. Compliance

RECOMMENDED.

ELTs shall be secured and inspected as per [Section 3. ACCOMPLISHMENT INSTRUCTIONS](#).

F. Approval

This Service Bulletin is published following Special Airworthiness Information Bulletin (SAIB) HQ-12-32, May 23/2012.

G. Manpower

0.05 Man / Hour.

H. Weight and Balance

Not applicable.

- I. Electrical Load Data  
Not applicable.
- J. Software Accomplishment Summary  
Not applicable.
- K. References  
Not applicable.
- L. Other Publications Affected  
Not applicable.
- M. Interchangeability  
Not applicable.

**2. MATERIAL INFORMATION**

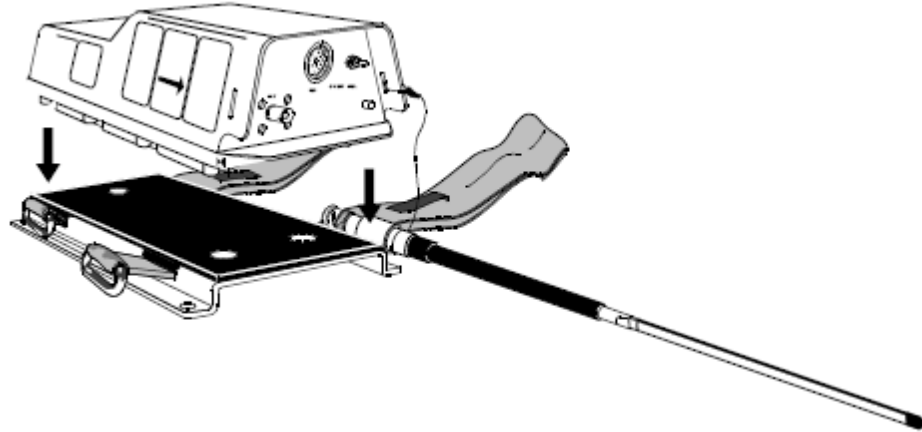
- A. Material - Price and Availability  
Not Applicable.
- B. Industry Support Information  
To be performed during periodic inspection required by Aviation National Regulations.
- C. Material Necessary for Each Component  
Not applicable.
- D. Material necessary for Each Spare  
Not applicable.
- E. Re-identified Parts  
Not applicable.
- F. Tooling - Price and Availability  
Not applicable.

3. ACCOMPLISHMENT INSTRUCTIONS

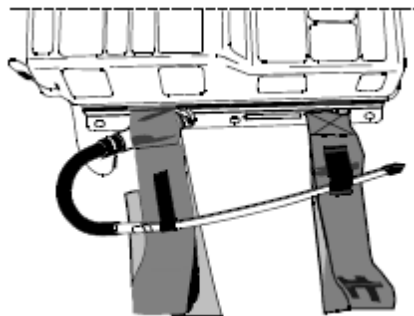
A. Instructions for properly securing the ELT

A1. ELT AP type installed with Mounting Bracket S1819524-01

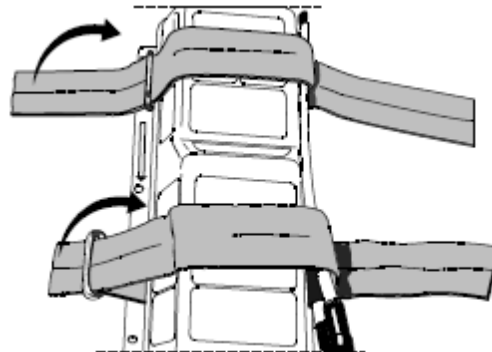
1. Mount the transmitter on the bracket as shown below



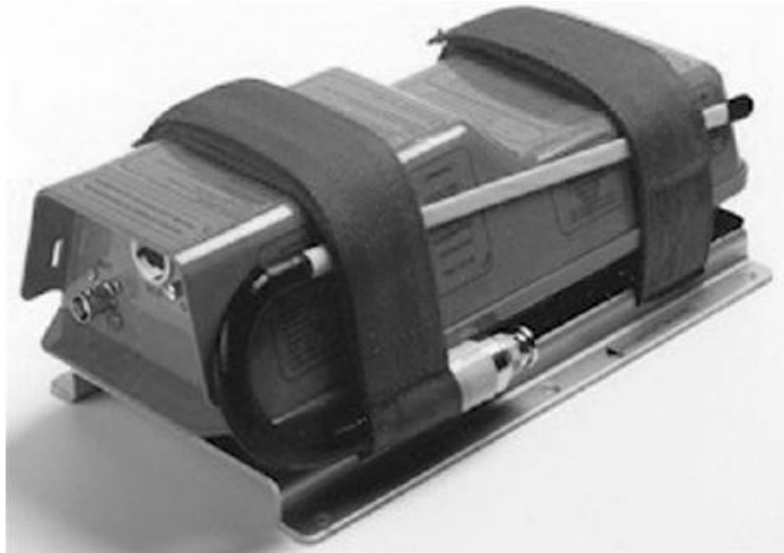
2. Fold the antenna and slide it through the elastic loops of the hook and loop fasteners



3. Slide the hook and loop fasteners through the buckles



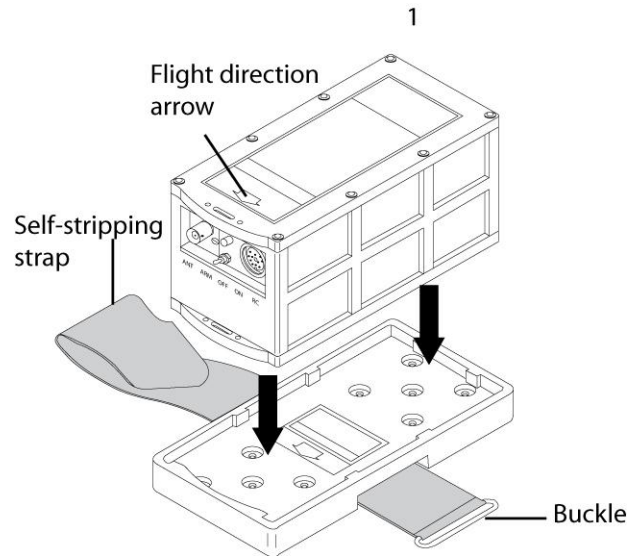
4. Firmly adjust and tighten the hook and loop fastener



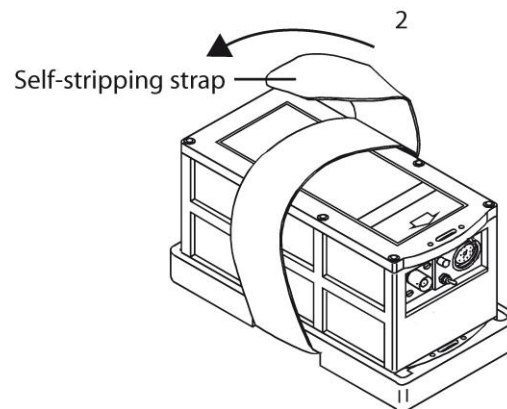
5. **IMPORTANT:**  
Once installed in the mounting bracket, the installer must be sure that the transmitter is firmly attached in its bracket by trying to extract it manually, thereby verifying there is no play and that it remains attached when extraction from the bracket is attempted
6. **CAUTION**  
“Caution: an incorrect tightening of the hook and loop fastener could lead to an unsafe situation preventing the transmission of the distress message by the ELT.”

**A2. ELT AF type installed with Mounting Bracket S1820511-01**

1. Mount the transmitter on the bracket "Flight direction" arrow pointed towards the front of the aircraft



2. Slide the self-stripping strap through the buckle.



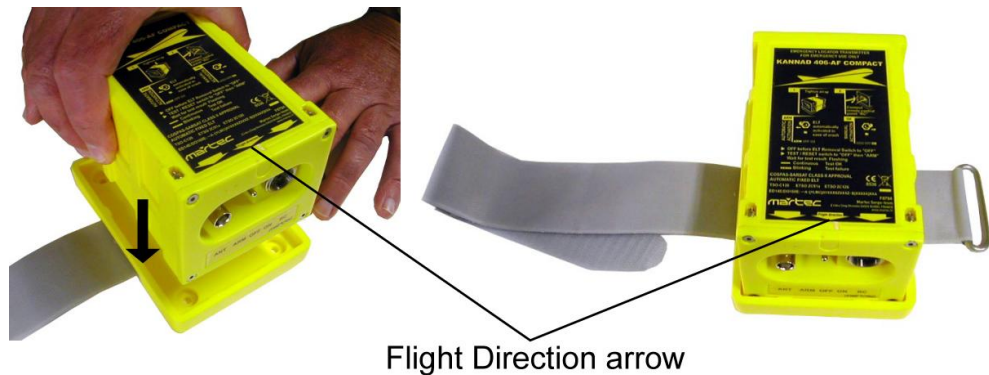
3. Firmly adjust and tighten the hook and loop fastener.



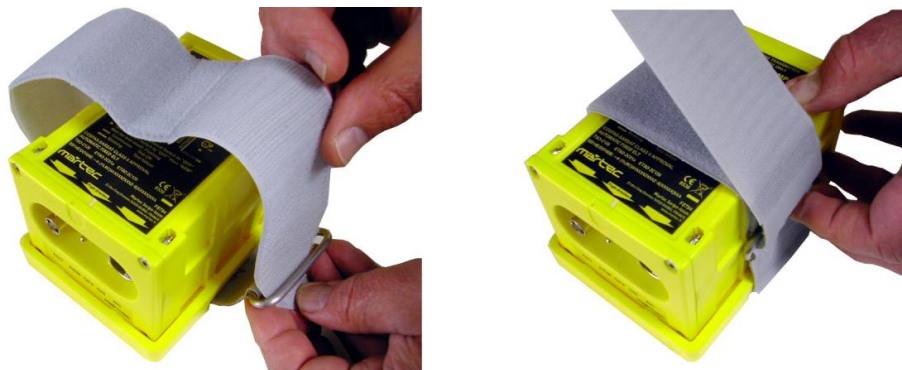
4. **IMPORTANT:**  
Once installed in the mounting bracket, the installer must be sure that the transmitter is firmly attached in its bracket by trying to extract it manually, thereby verifying there is no play and that it remains attached when extraction from the bracket is attempted.
5. **CAUTION**  
“Caution: an incorrect tightening of the hook and loop fastener could lead to an unsafe situation preventing the transmission of the distress message by the ELT.”

### A3. ELT AF type installed with Mounting Bracket S1840502-01

1. Before installing the ELT onto its mounting bracket, check that the HOOK fastener of the self-stripping strap is correctly positioned on the LOOP fastener of the mounting bracket. Check that the strap does not show traces of wear and tear due to ageing.
2. Mount the transmitter on the bracket "Flight direction" arrow pointed towards the front of the aircraft.

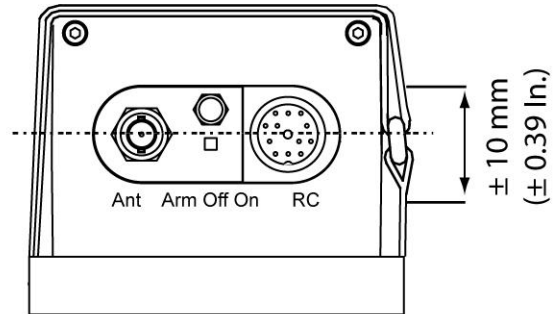


3. Slide the self-stripping strap through the buckle.



4. Ensure the buckle is correctly positioned (indifferently on right or left side of ELT) regarding the horizontal center line of ELT and firmly adjust and tighten the retaining strap.





5. **IMPORTANT:**

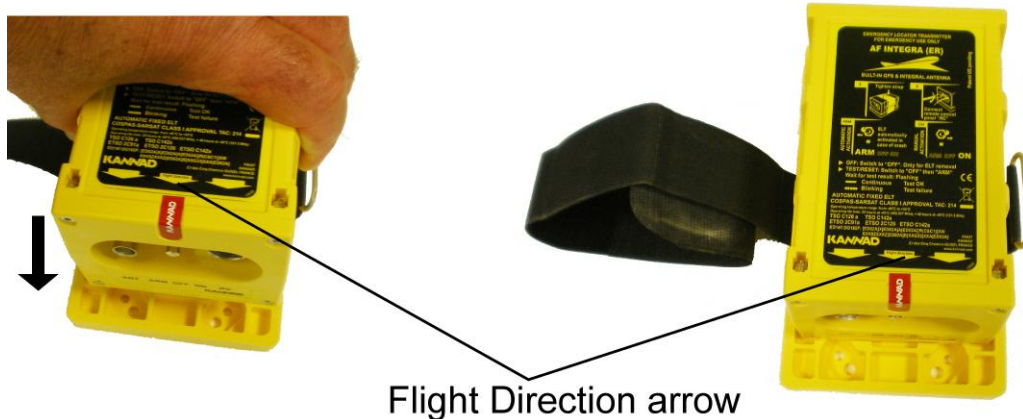
Once installed in the mounting bracket, the installer must be sure that the transmitter is firmly attached in its bracket by trying to extract it manually, thereby verifying there is no play and that it remains attached when extraction from the bracket is attempted.

6. **CAUTION**

“Caution: an incorrect tightening of the hook and loop fastener could lead to an unsafe situation preventing the transmission of the distress message by the ELT.”

**A4. ELT AF types installed with Mounting Bracket S1840502-02**

1. Mount the transmitter on the bracket "Flight direction" arrow pointed towards the front of the aircraft





- Slide the self-stripping strap through the buckle



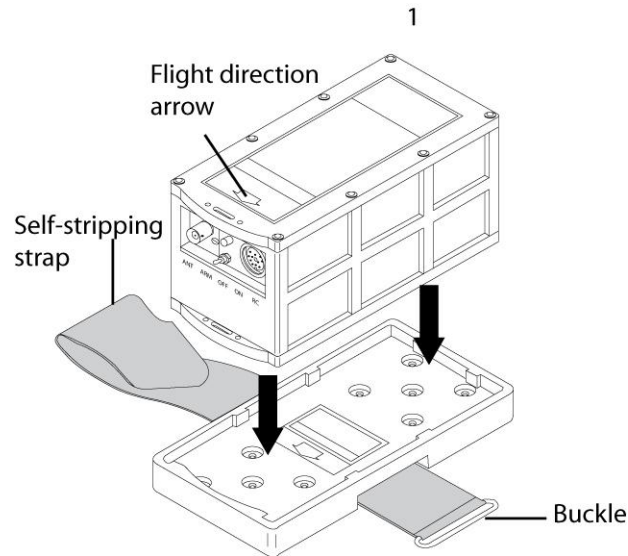
- Firmly adjust and tighten the retaining strap



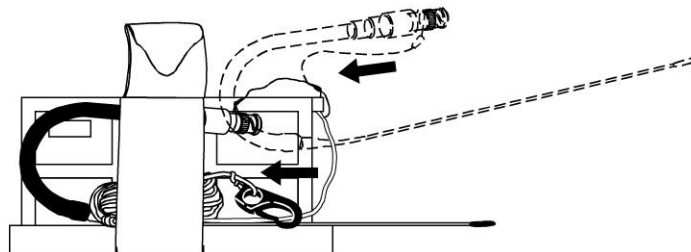
- IMPORTANT:**  
Once installed in the mounting bracket, the installer must be sure that the transmitter is firmly attached in its bracket by trying to extract it manually, thereby verifying there is no play and that it remains attached when extraction from the bracket is attempted.
- CAUTION**  
“Caution: an incorrect tightening of the hook and loop fastener could lead to an unsafe situation preventing the transmission of the distress message by the ELT.”

**A5 ELT AP type installed with Mounting Bracket S1820511-01**

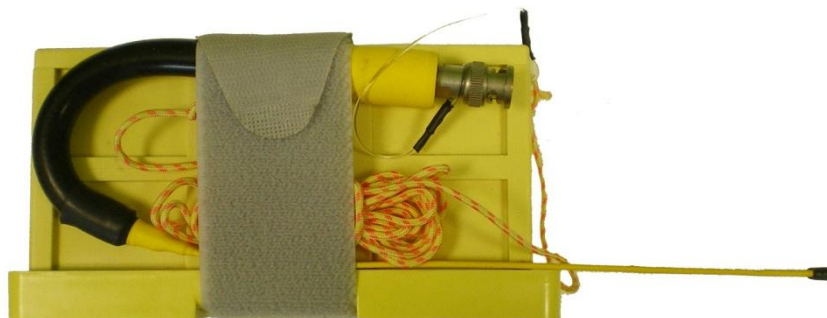
1. Mount the transmitter on the bracket "Flight direction" arrow pointed towards the front of the aircraft..



2. Place the antenna and tether onto the mounting bracket, on the opposite side of the buckle, fold the antenna, BNC connector to the top, and slide the antenna and the tether between the strap and the ELT. Keep them maintained by the strap while sliding the self-stripping strap through the buckle.



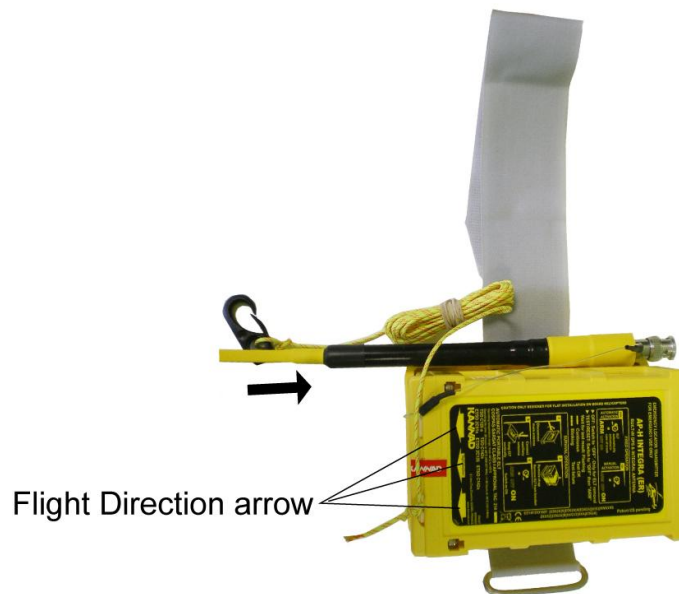
3. Firmly adjust and tighten the retaining strap.



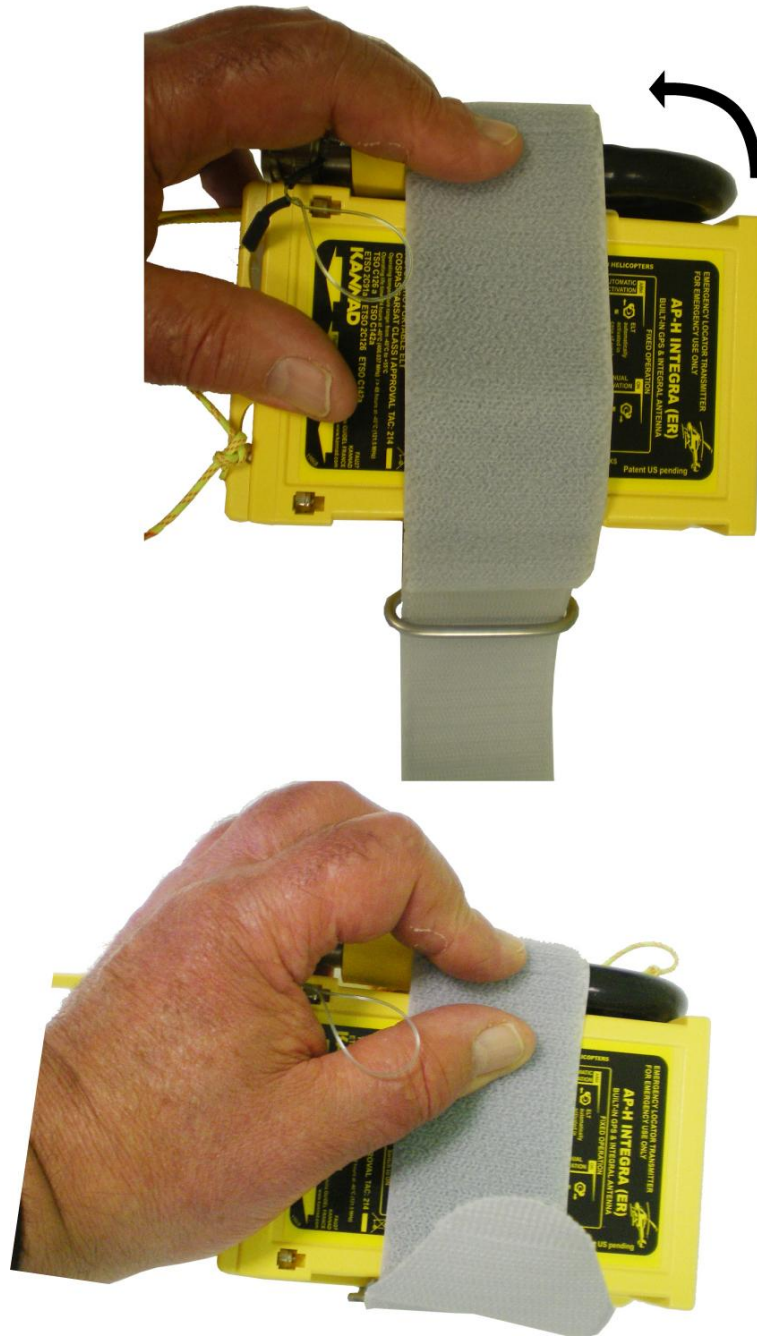
4. **IMPORTANT:**  
Once installed in the mounting bracket, the installer must be sure that the transmitter is firmly attached in its bracket by trying to extract it manually, thereby verifying there is no play and that it remains attached when extraction from the bracket is attempted.
5. **CAUTION**  
“Caution: an incorrect tightening of the hook and loop fastener could lead to an unsafe situation preventing the transmission of the distress message by the ELT.

**A6 ELT AP type installed with Mounting Bracket S1840502-01**

1. Mount the transmitter on the bracket "Flight direction" arrow pointed towards the front of the aircraft. Place the antenna and tether onto the mounting bracket, on the opposite side of the buckle.



2. Fold the antenna, BNC connector to the top, and slide the antenna and the tether between the strap and the ELT. Keep them maintained by the strap while sliding the self-stripping strap through the buckle.



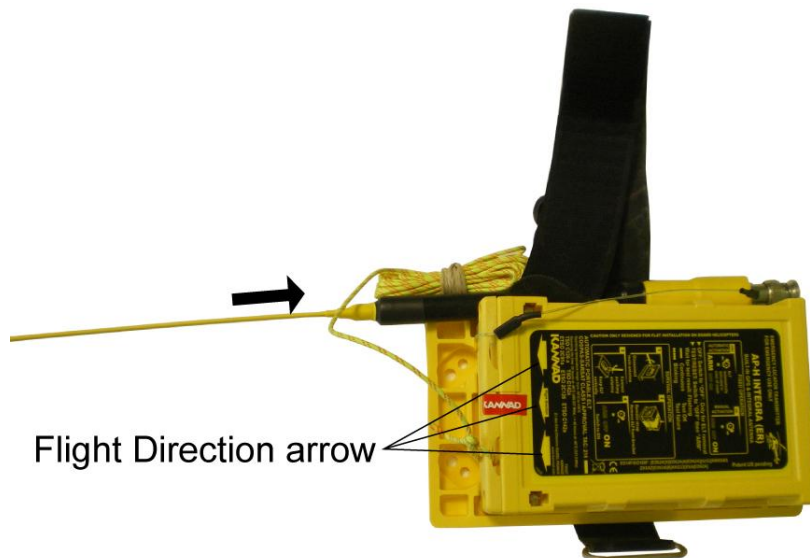
3. Firmly adjust and tighten the retaining strap



4. **IMPORTANT**  
Once installed in the mounting bracket, the installer must be sure that the transmitter is firmly attached in its bracket by trying to extract it manually, thereby verifying there is no play and that it remains attached when extraction from the bracket is attempted.
5. **CAUTION**  
“Caution: an incorrect tightening of the hook and loop fastener could lead to an unsafe situation preventing the transmission of the distress message by the ELT.”

**A7 ELT AP type installed with Mounting Bracket S1840502-02**

1. Mount the transmitter on the bracket "Flight direction" arrow pointed towards the front of the aircraft. Place the antenna and tether onto the mounting bracket, on the opposite side of the buckle.





2. Fold the antenna, BNC connector to the top, and slide the antenna and the tether between the strap and the ELT. Keep them maintained by the strap while sliding the self-stripping strap through the buckle.



3. Firmly adjust and tighten the retaining strap.



4. **IMPORTANT**  
Once installed in the mounting bracket, the installer must be sure that the transmitter is firmly attached in its bracket by trying to extract it manually, thereby verifying there is no play and that it remains attached when extraction from the bracket is attempted.
5. **CAUTION**  
“Caution: an incorrect tightening of the hook and loop fastener could lead to an unsafe situation preventing the transmission of the distress message by the ELT.”



B. Instructions for inspecting hook and loop style fasteners

Visual inspection of hook and loop style fastener shall be performed at each installation / re-installation of the ELT

**A thorough verification of the condition of the retaining strap must also be performed during the periodic inspections that national authorities require such as inspection required by 14 CFR § 91.207**

Check that the hook and loop style fastener does not show traces of wear and tear due to ageing.

Inspect hook and loop style fastener for wear, contamination, environmental degradation, or other effects.

C. Replacement interval for the hook and loop style fasteners

The strap shall be replaced if, during inspection, at least one of the above effects ([B. Instructions for inspecting hook and loop style fasteners](#)) has been detected, or if when firmly adjusting and tightening the strap, the conditions detailed on the paragraphs [A. Instructions for properly securing the ELT](#) cannot be fulfilled

Orolia S.A.S.

Kannad Aviation

Z.I. des Cinq Chemins

CS 10028

56520 GUIDEL

FRANCE

E-mail: [support.sar@kannad.oralia.com](mailto:support.sar@kannad.oralia.com)

Tel: +33 (0)2 97 02 49 00

**PAGE INTENTIONALLY LEFT BLANK**